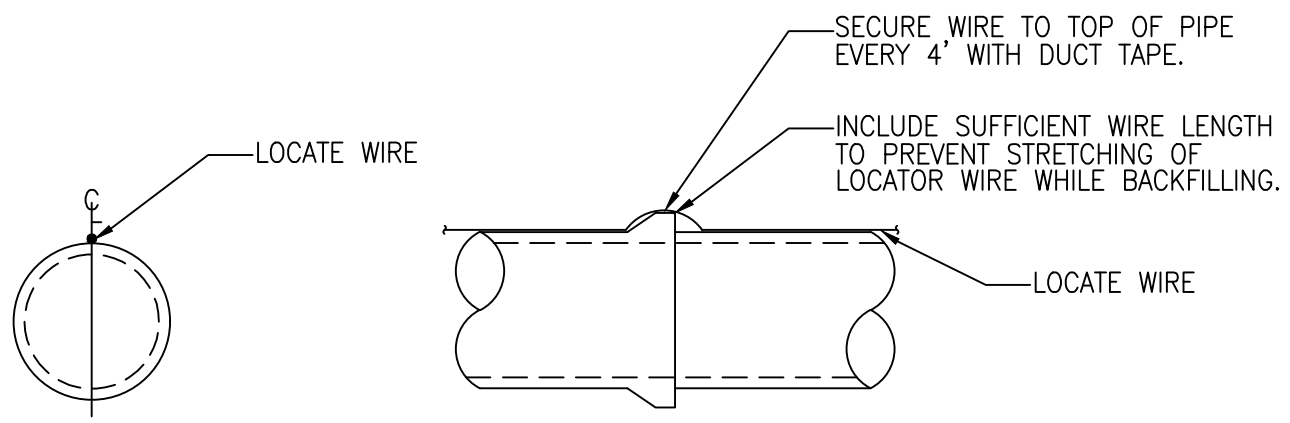


ELEVATION



NOTES:

1. WIRE SHALL BE 12 GA. AWG
2. STATION BOX SHALL BE LOCATED AT UPSTREAM SIDE OF THE MANHOLE UNLESS SPECIFIED OTHERWISE BY INSPECTOR.
3. WIRE TO BE CONTINUOUS OR THERMOWELDED OR USE AN APPROVED WATER-TIGHT CONNECTOR.

DRAWING NOT TO SCALE



13031 E Caley Ave, Centennial, CO 80111
303-790-4830 • acwwa.com

LOCATOR OR TRACER WIRE
WASTEWATER COLLECTION SYSTEM

REVISION DATE: 7/18/2020
FIGURE NO. SS-9
SHEET NO. 1 OF 1